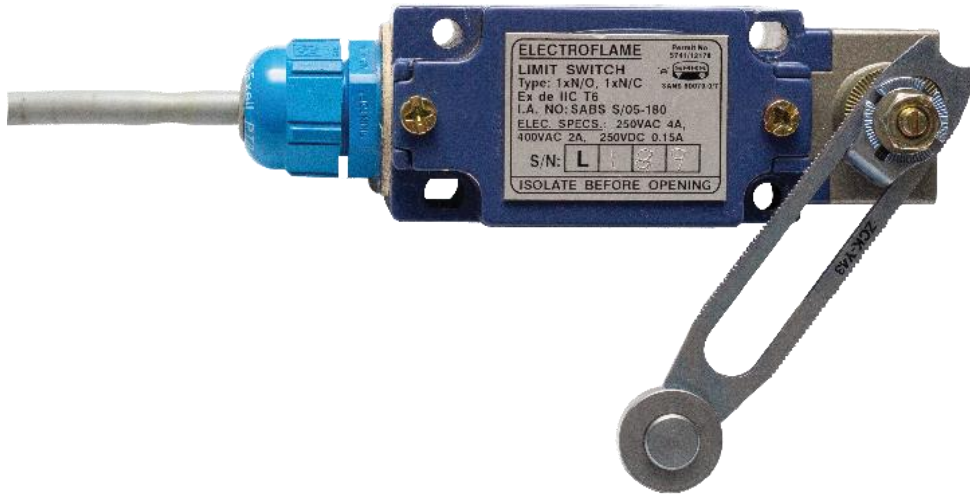




Electroflame (PTY) LTD

Design | Manufacture | Supply
Ex Equipment



Surface

Limit Switch

Application

The Limit Switch is suitable for surface Zone 1, 2, 21 and 22 areas.

Construction

The unit consists of a housing, head piece and activation lever. Attached to the main housing is an Exe plastic gland and a 5 meter braided cable.

Inside the housing is an Exd limit switch. The limit switch has one normally open and one normally closed contact.

The unit makes use of the Telemecanique range of heads and levers.

The adjustable roller (Y43) and fixed roller levers (Y13) are two standard units generally kept in stock.

Other heads/lever can be supplied on request.

Technical Data



Certification

- Ex eb IIC T6 Gb
- Ex tb IIIC T85°C Db

IA Number: MASC S/22-2209X

Electrical Specification

- 250VAC 5A
- 400VAC 2A
- 250VDC 0.5A

Order Information

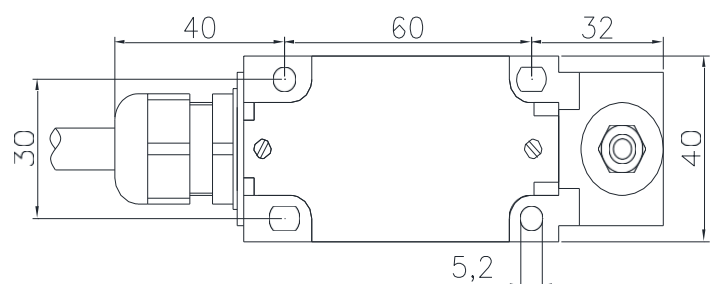
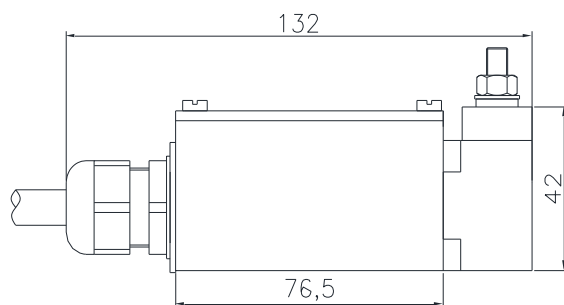
Lever / Head

- Limit switch no Head or Lever
- ZCK- E05 Head with ZCK-Y43 adjustable lever
- ZCK-E619 Shaft head
- ZKC-E05 Head with ZCK-Y13 roller lever
- ZCK-E66 Roller ball shaft head
- ZCK-E06 Cat whisker head
- ZCK-E23 Roller lever plunger head
- ZCK-E62 Plunger with wheel head
- ZCK-E61 Head
- ZCK-E08 Spring rod lever head

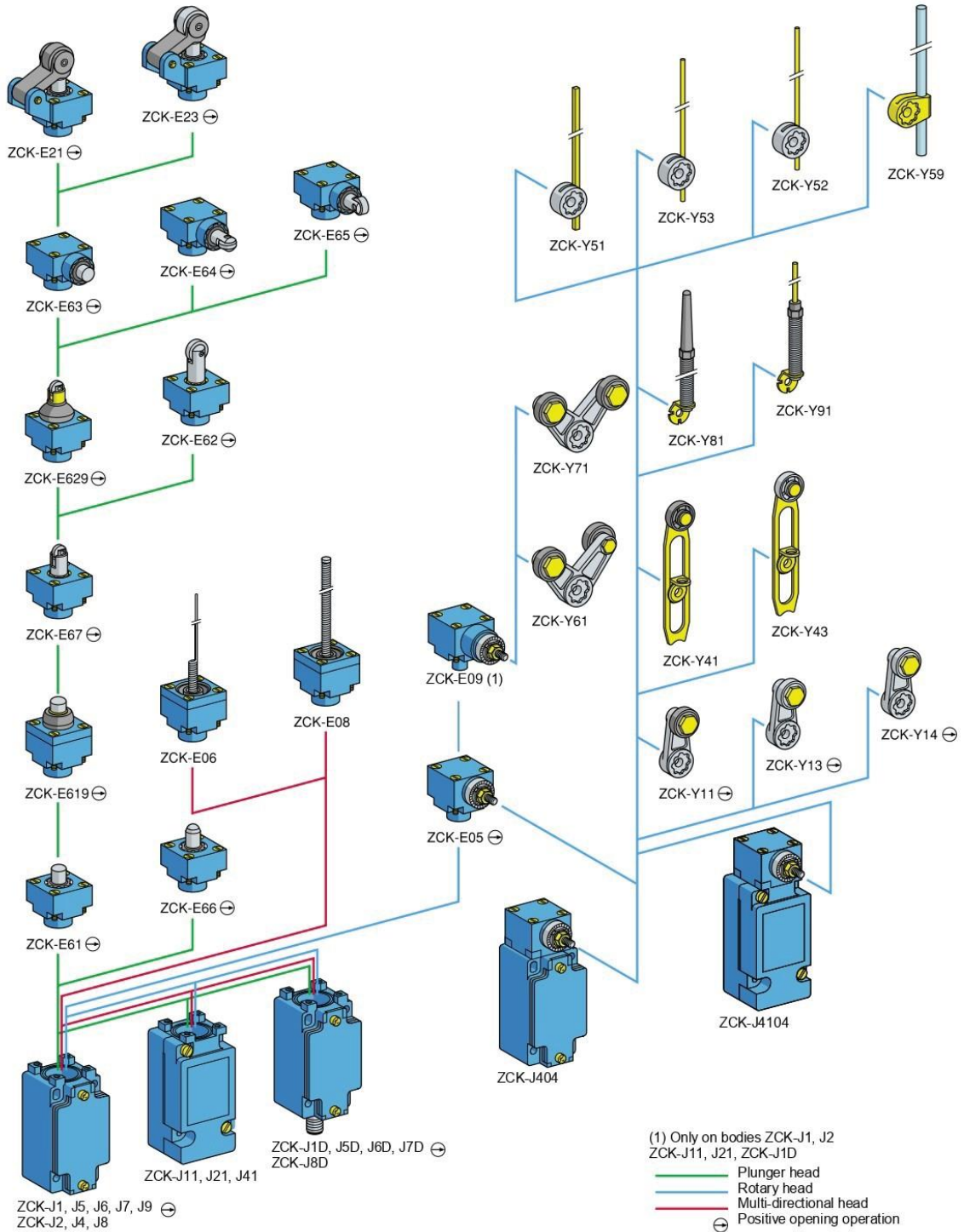
Part Number

AMLSW-000
AMLSW-001
AMLSW-002
AMLSW-003
AMLSW-004
AMLSW-005
AMLSW-006
AMLSW-007
AMLSW-008
AMLSW-010

Drawings



Heads & Levers Available



2402_Ver5.00-EN.fm/2

Telermecanique

Schneider Electric

Electroflame uses the ZCK-J1 body