



**Electroflame** (PTY) LTD

Design | Manufacture | Supply  
Ex Equipment



**Surface**

# Neptune **LED Floodlight / Bulkhead**

## Application

The Neptune light is a compact LED floodlight or bulkhead used for general lighting in internal or external areas. The product is available as a standard IP rated or certified Ex n and Ex t for use in Zone 2, 21/22 hazardous areas.

## Construction

The LM6 powder coated aluminium housing is divided into a Control Box and Head Piece section.

The Head Piece section houses the LED's and lenses. A 4 mm tempered glass with silicone seal is clamped onto the Head Piece with a 304 stainless steel plate.

The Control Box section houses the electronic driver, surge arrestor and connector blocks. A LM6 powder coated aluminium lid with silicone seal closes off the Control Box section.

To prevent items falling to the ground at the time of installation, the 4 lid mounting screws are captive while a retaining cable attaches the Lid to the Control Box Body.

# Technical Data



## Certification

- Ex nA IIC T4 Gc
- Ex tb IIIC T85°C Db IP65
- IA Number: MASC S/20-2243X

## Electrical Specification

- Input voltage: 220-240VAC + - 10%, 50/60Hz
- PFC > 0.96

## Weight

- 6.5 Kg

## Order Information

### Standard

- 50W
- 80W
- 108W

### Part Number

AMNEP-050-S63  
AMNEP-080-S63  
AMNEP-100-S63

### Ex n, Ex t

- 50W
- 80W
- 108W

### Part Number

AMNEP-050-63  
AMNEP-080-63  
AMNEP-100-63

## Different Views



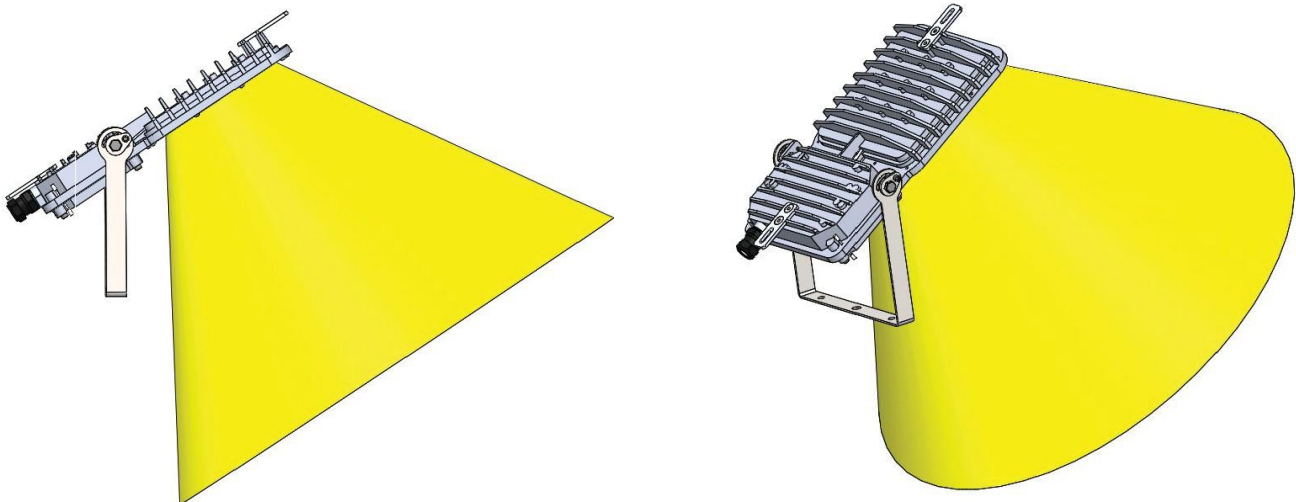
## Application, Beam Spreads and Identification Markings

An array of 24 or 36 LED's (wattage dependent) is included with various optics allowing for different light distributions.

### Symmetrical 63 Degree Beam (PRODUCT ID: 63SYM)

#### Application

General area lighting with fitting mounted at an angle, 4 to 6 meters high.



63 degree symmetrical

# Technical Data

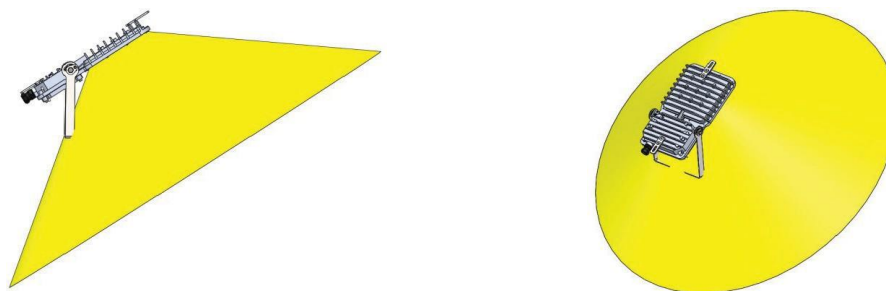


## Symmetrical 105 Degree Beam

(PRODUCT ID: 105SYM)

### Application

General area lighting with the fitting mounted 3 to 5 meters high where a very wide beam is required.



105 degree symmetrical

## Asymmetrical Wide Flood Beam

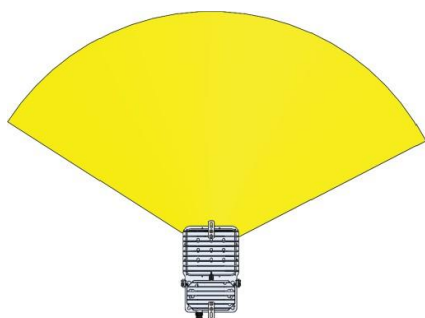
(PRODUCT ID: WF)

Asymmetrical beam with light projected forward and sideways as follows:

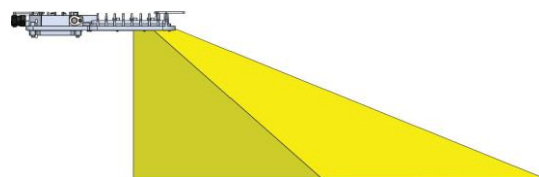
- 63 degrees forward projection.
- 60 degrees left, 60 degrees right (total 120 degrees sideways)
- Zero (minimal) degrees backward.

### Application

General area lighting with fitting mounted horizontally 3 to 5 m high.



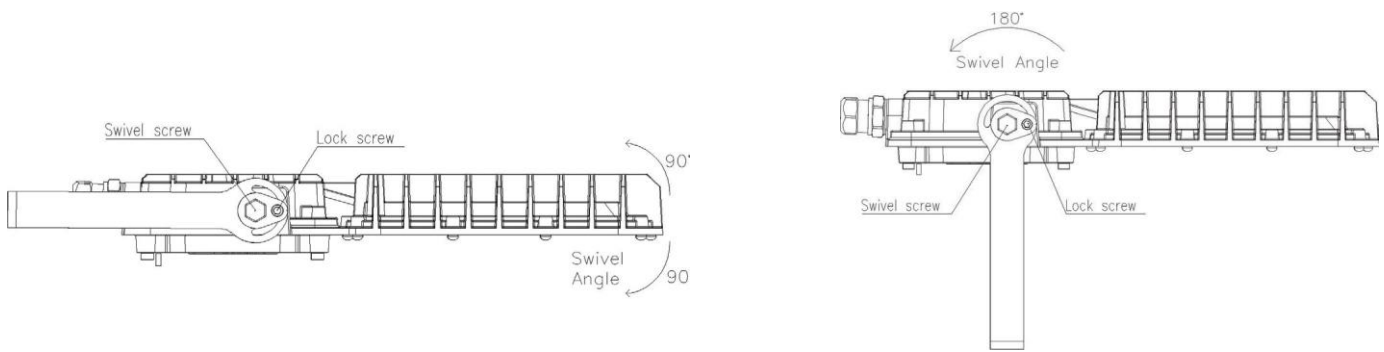
120 Degrees Side Beam



60 Degrees forward beam

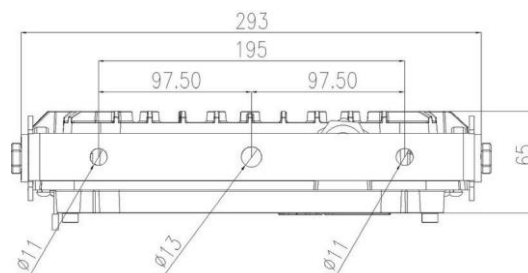
## Dimensions / Installation Information

### Stirrup Bracket



Horizontal Mounted Bracket

Vertical Mounted Bracket



Stirrup Mounting Bracket Dimensions

### Flat Bracket

